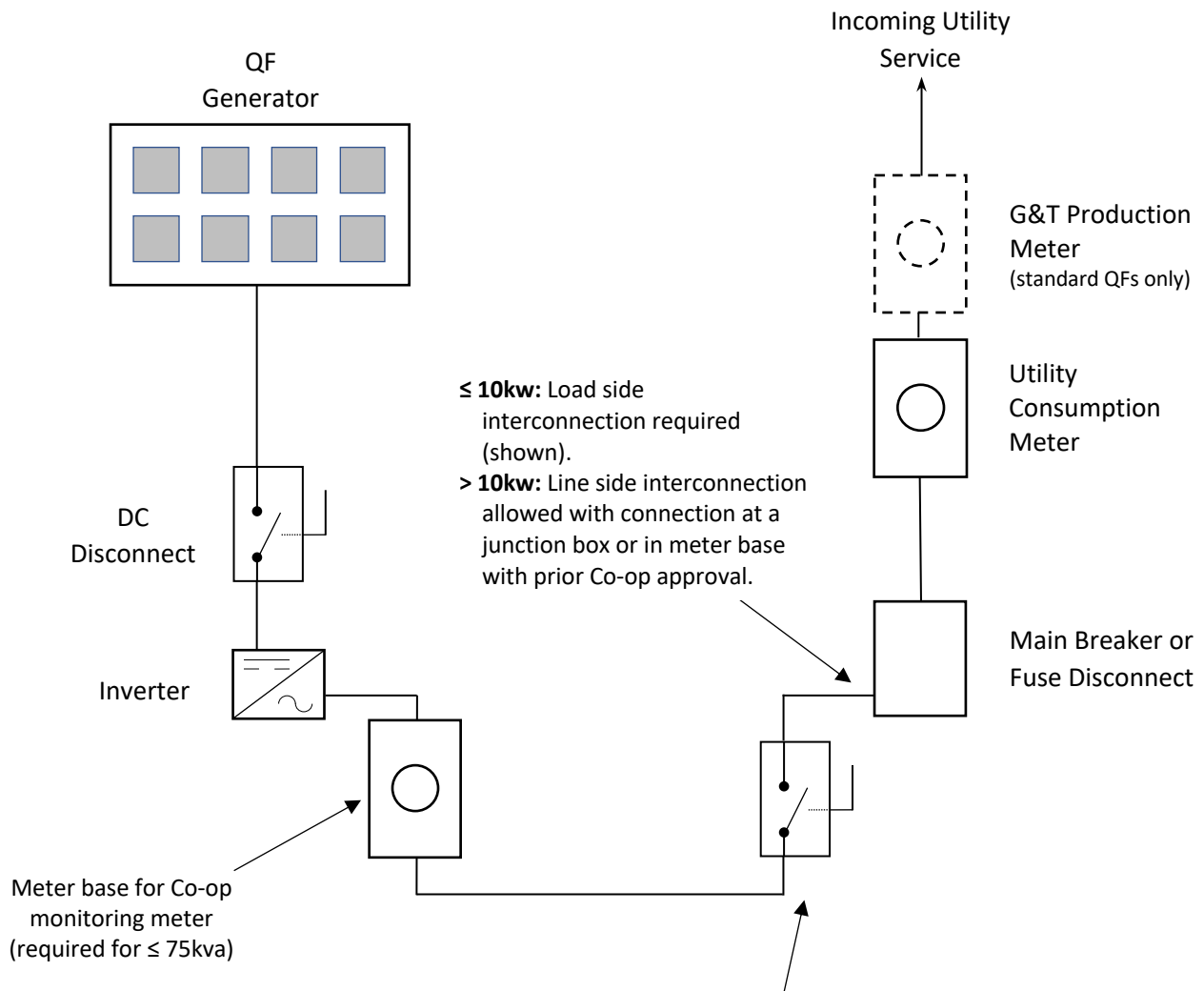


Basic QF One-line



Lockable and Fused AC Disconnect
Located outside with 24/7 access

Place a label on the AC disconnect switch stating that it is the co-generation disconnect switch.

If the AC disconnect is located away from the main meter, signage giving directions to the AC disconnect must be placed at the main meter.

Installation per NEC
Article 690

If you have any questions about our renewable energy specifications, please contact us at renewables@ieec.coop or 800-824-5102.